



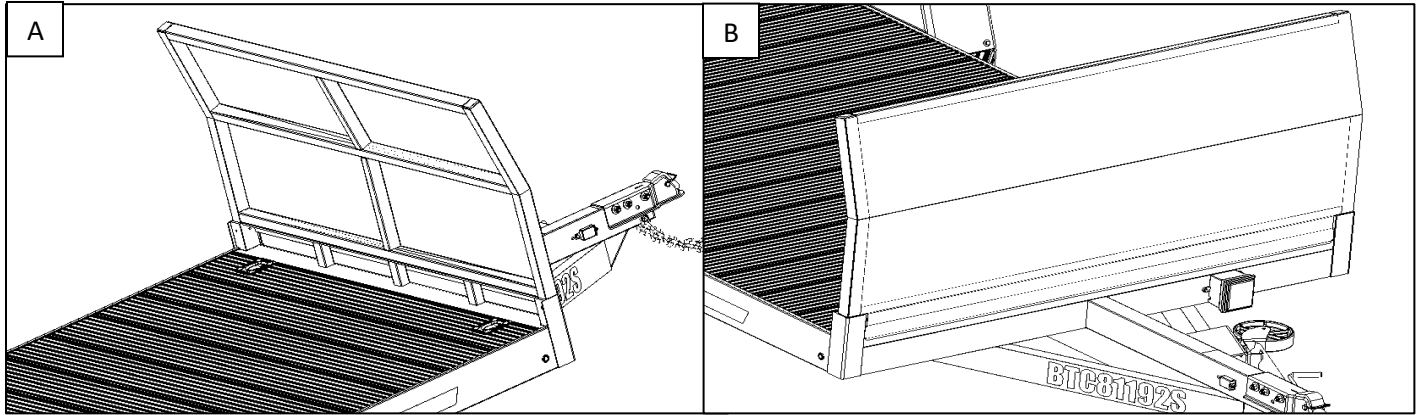
Accessory Installation Instructions

Car Hauler Trailers

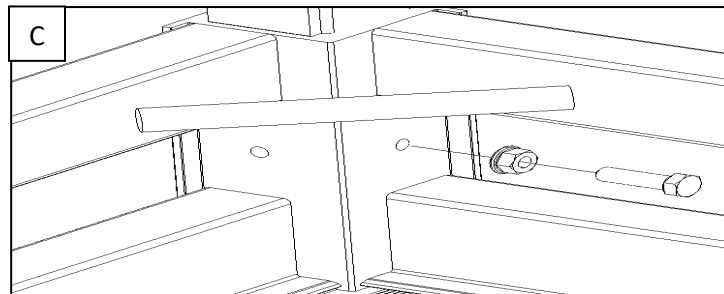
Installation Instructions

Car Hauler Trailers

Rock Guard



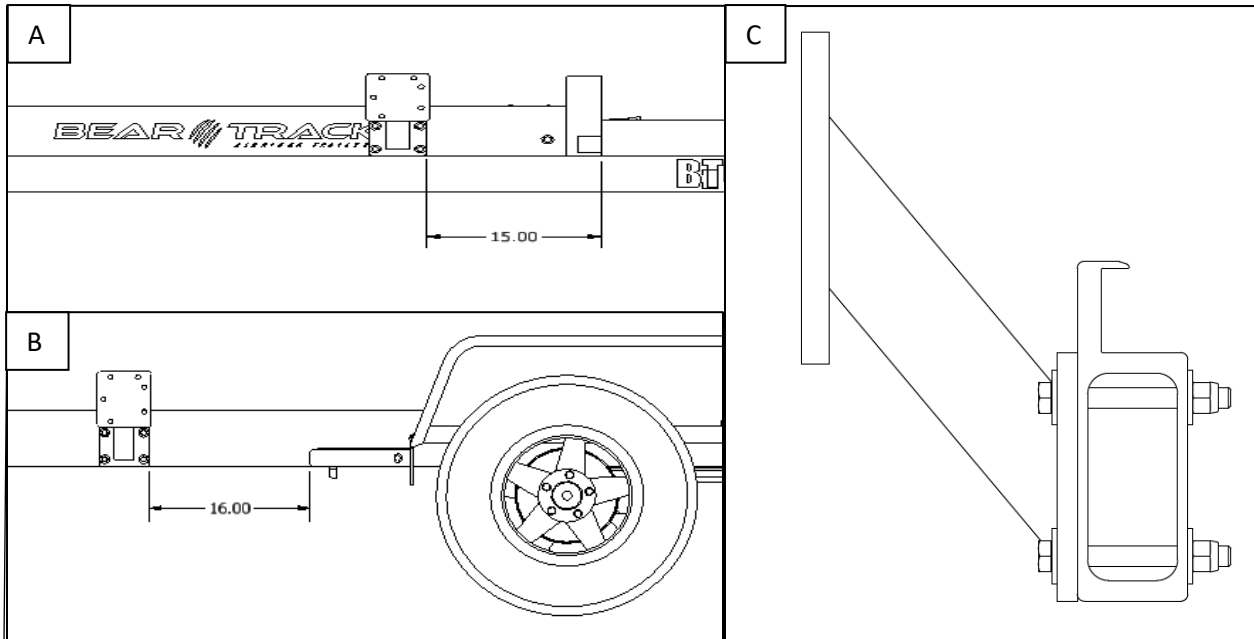
1. Insert the rock guard's stakes into the front corner pockets as seen in Figures A and B.
2. Using the 3/8" x 1 1/4" bolt configuration shown in Figure C, bolt the rock guard in place and tighten the nut to lock the bolt in position. Do not crush the extrusions while tightening the hardware.



Installation Instructions

Car Hauler Trailers

Spare Tire Mount-Side Rail



1. Drill Pilot Holes

a. Standard and Beaver Tail Trailers

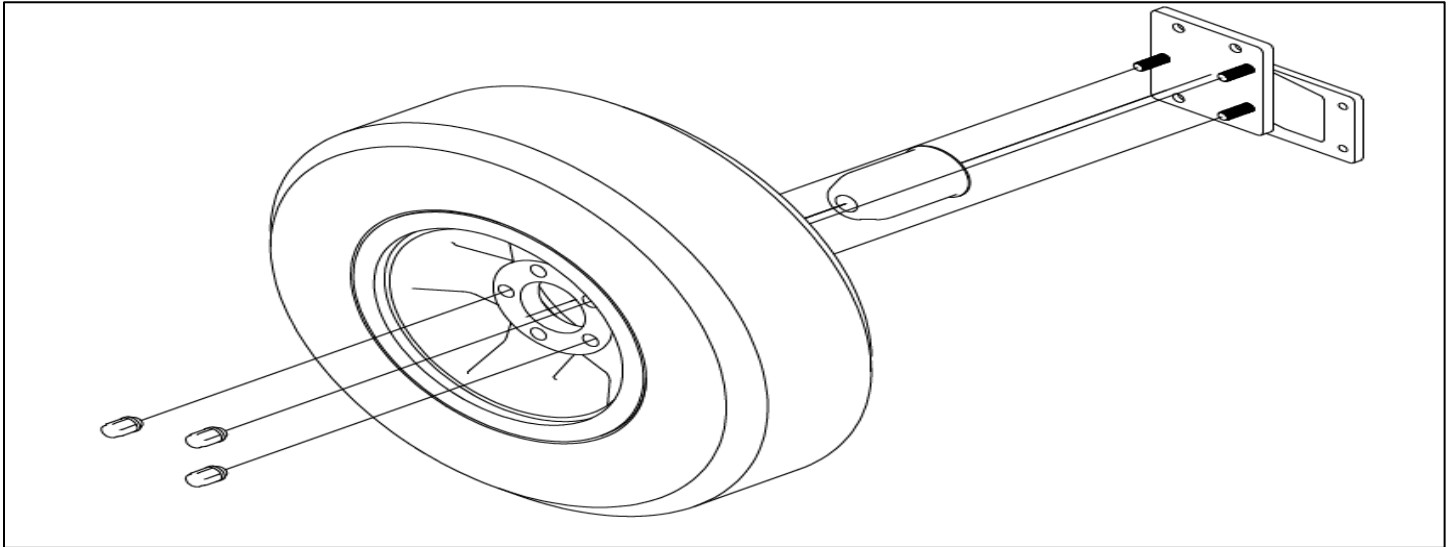
- i. On the passenger side of the trailer, place the bracket's back plate against the side rail 15" from the front of the trailer (Figure A). Clamp the plate making sure the bottom of the plate is flush with the bottom of the side rail. Drill the four 3/8" clearance holes and unclamp.

b. Tilt Trailers

- i. On the passenger side of the trailer, place the bracket's back plate against the side rail 16" behind the fender's angled support plate (Figure B). Clamp the plate making sure the bottom of the plate is flush with the bottom of the side rail. Drill the four 3/8" clearance holes and unclamp.

2. Fasten the Bracket

- a. Align the tire mount bracket with the holes drilled in step 1. Fasten the tire mount bracket to the trailer using the 3/8" x 3" bolt configuration found in Figure C.



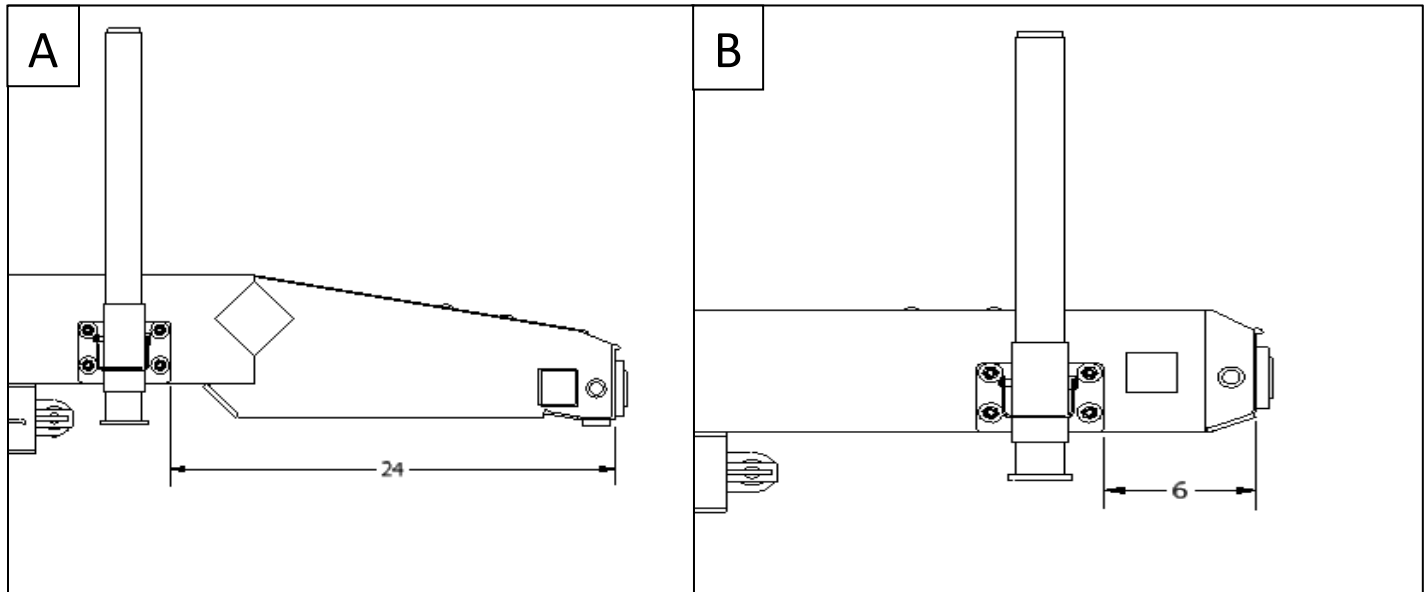
1. Attach the Tire to the Bracket

- a. Place the center cap through the middle hole of the tire.
- b. Place the three, $\frac{1}{2}$ " x $1 \frac{1}{2}$ " bolts through the holes in the bracket etched with a "5" for 5-bolt wheel, or "6" for a 6-bolt wheel. The 5-bolt wheel is shown in the picture. Place the tire on the mounting bracket ensuring the holes of the tire's rim align with the bolts. Tighten using lug nuts until the tire is securely fastened.

Installation Instructions

Car Hauler Trailers

Leg Stabilizer



1. Beavertail
 - a. Drilling pilot holes
 - i. Place plate on driver side or passenger side rail 24" from the back of the trailer and clamp to hold into place (Figure A). Drill the four 3/8 clearance holes and unclamp.
 - b. Bolting to trailer
 - i. Bolt the bracket to the trailer through the holes drilled in previous step.
2. Straight
 - a. Drilling pilot holes
 - i. Place plate on driver side or passenger side rail 6" from the back of the trailer and clamp to hold into place (Figure B). Drill the four 3/8 clearance holes and unclamp.
 - b. Bolting to trailer
 - i. Bolt the bracket to the trailer through the holes drilled in previous step.