



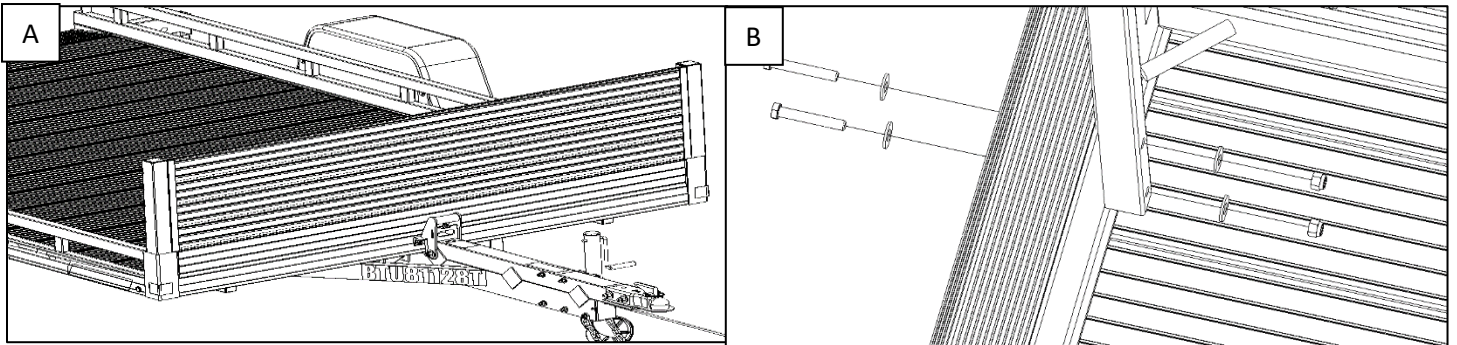
## Accessory Installation Instructions

# ATV Trailers

# Installation Instructions

## ATV Trailers

### Rock Guard



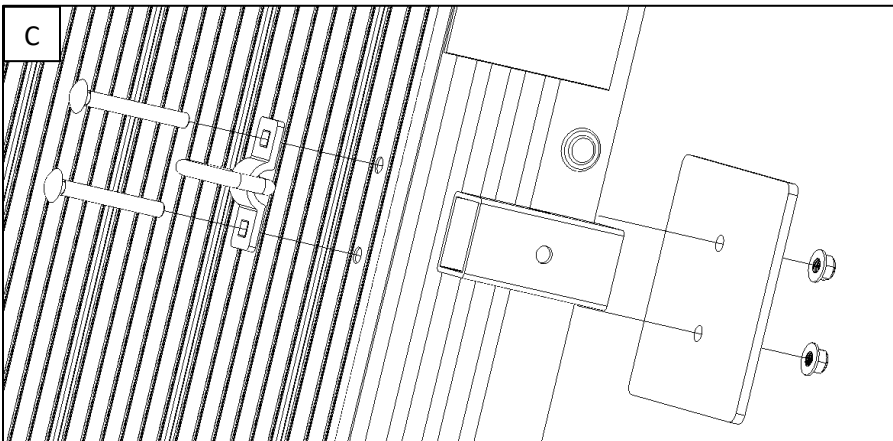
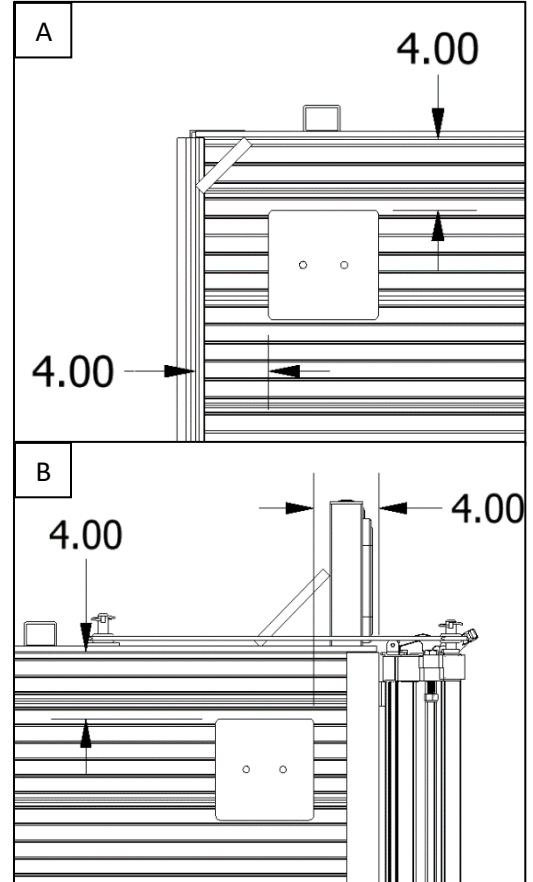
1. Place the rock guard onto the trailer as shown in image A. Center the rock guard on the front rail of the trailer. The rock guard's stakes should be flush with the inner face of the front rail (Figure B) and raised off the bed of the trailer by  $\frac{1}{4}$ ".
2. Hold or clamp the rock guard in place and, using the pre-drilled holes in the stakes as a template, drill  $\frac{3}{8}$ " pilot holes through the front rail of the trailer.
3. Using the bolt configuration shown in Figure B, install bolts in the pre-drilled holes and tighten. Do not crush the extrusions while tightening the hardware.

# Installation Instructions

## ATV Trailers

### D-Ring Tie Downs

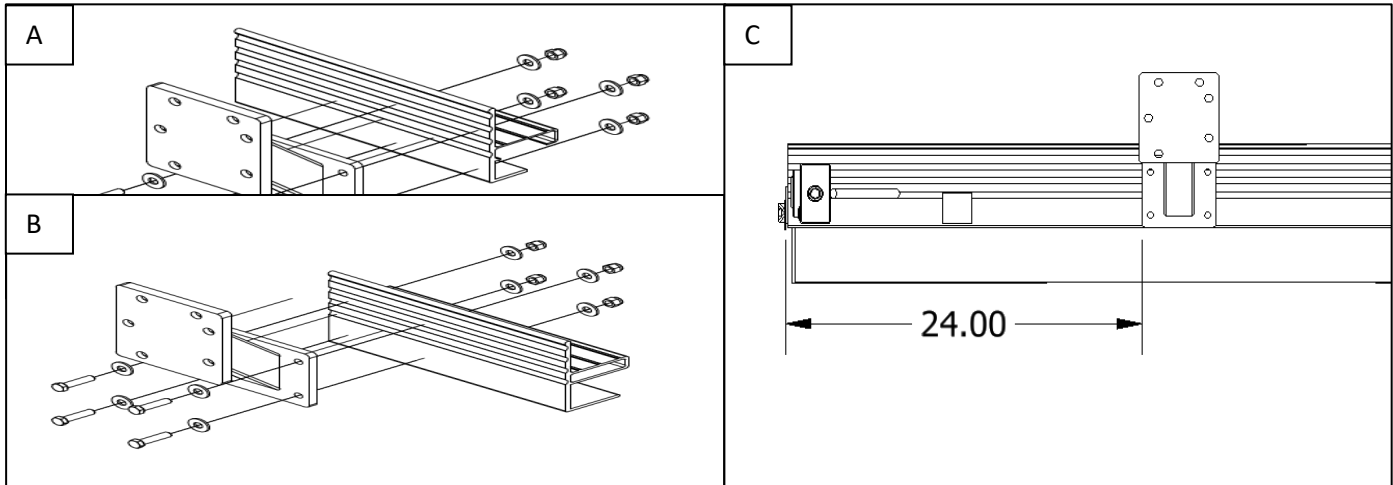
1. Place the D-ring backer plate onto the bed of the trailer making sure the holes go from front to back.
  - a. If mounting D-rings in the front of the trailer: For both the driver and passenger sides, place the bracket 4" from the inside of both the front and side rails of the trailer as shown in Figure A.
  - b. If mounting D-rings in the rear of the trailer: For both the driver and passenger sides, place the bracket 4" from the inside of the side rail and 4" from the rear end of the trailer as shown in Figure B.
2. Hold the bracket in place and drill one of the two 3/8" pilot holes through the bed of the trailer, using a hole in the bracket as a template. Place one of the two 3/8" x 3" carriage bolts through the drilled hole. Ensure the bracket is still aligned properly and drill the other 3/8" pilot hole through the trailer bed.
3. Remove the bolt used in step 2 and, placing the backer plate beneath the trailer, assemble the D-ring mount as shown in Figure C and tighten the bolts until secure. Do not crush the extrusions while tightening the hardware.



# Installation Instructions

## ATV Trailers

### Spare Tire Mount-Side Rail



#### 4. Drill Pilot Holes

##### a. 120" Trailer: See Images A & C

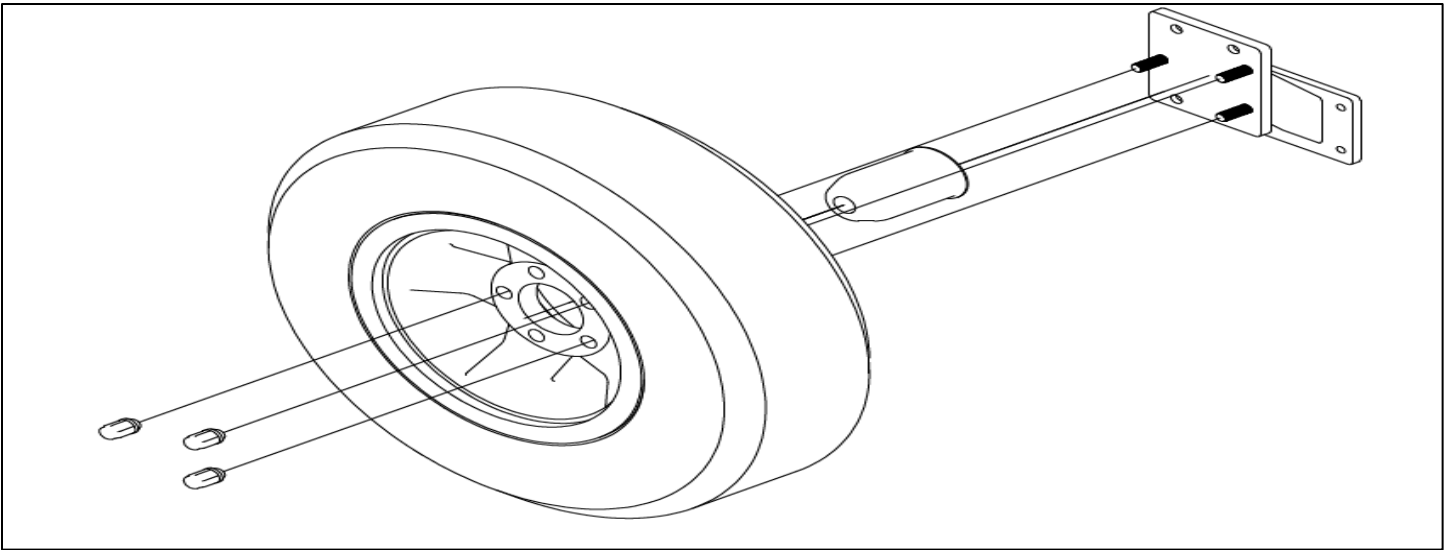
- i. On the passenger side of the trailer, clamp the tire mount bracket's back plate 24" from the rear end of the trailer. Ensure the bottom of the plate is flush with the bottom of the side rail. Drill the four 3/8" holes and unclamp.

##### b. 144", 168" Trailers: See Images B & C

- i. On the passenger side of the trailer, clamp the tire mount bracket's back plate 24" from the rear end of the trailer and 1/4" from the bottom of the side rail. Ensure the plate is level and drill the four 3/8" holes. Unclamp the plate.

#### 5. Fasten Bracket

- a. Align the tire mount bracket with the holes drilled in step 1. Fasten the tire mount bracket to the trailer using the 3/8" x 1 1/4" bolt configuration found in images A & B.



1. Attach the Tire to the Bracket
  - a. Place the center cap through the middle hole of the tire.
  - b. Place the three,  $\frac{1}{2}$ " x  $1 \frac{1}{2}$ " bolts through the holes in the bracket etched with a "5" for 5-bolt wheel, or "6" for a 6-bolt wheel. The 5-bolt wheel is shown in the picture. Place the tire on the mounting bracket ensuring the holes of the tire's rim align with the bolts. Tighten using lug nuts until the tire is securely fastened.